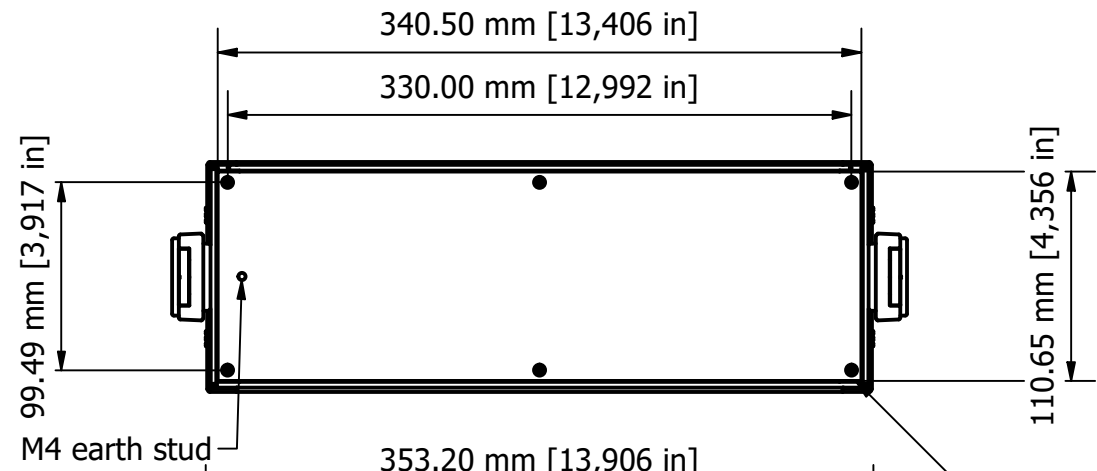
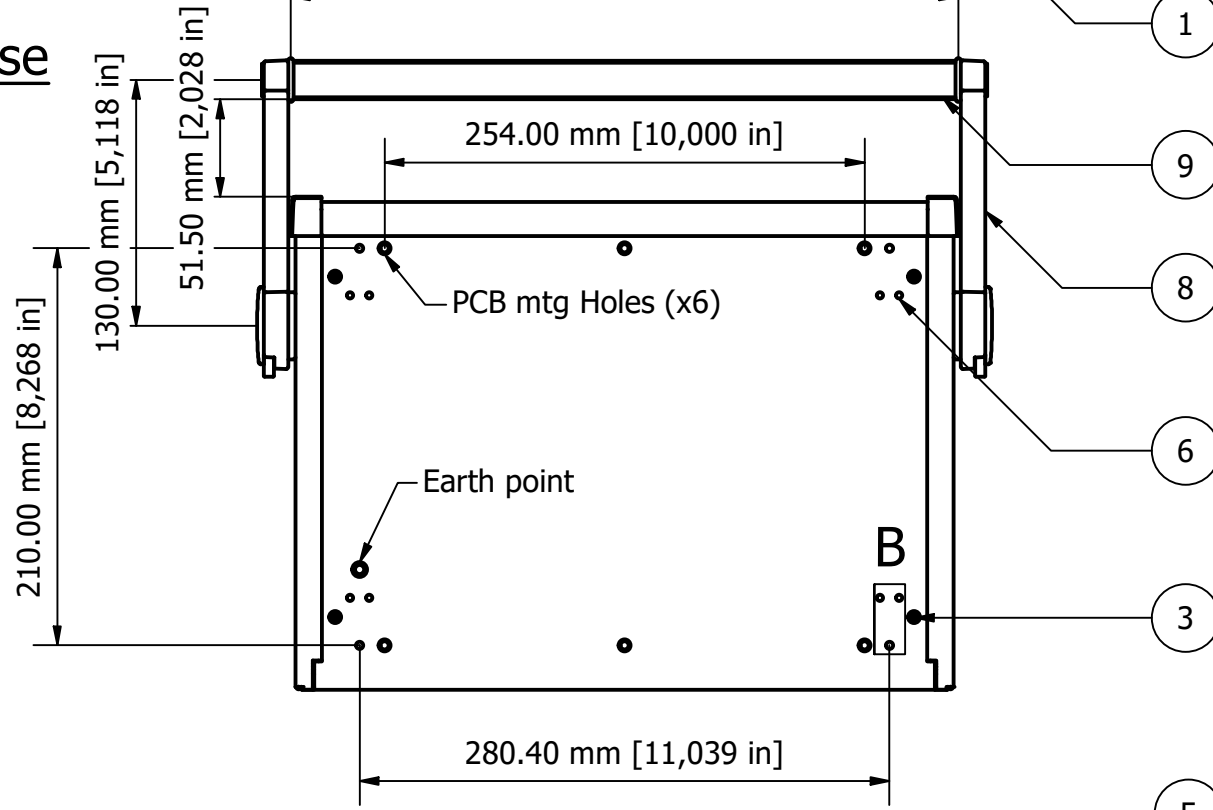


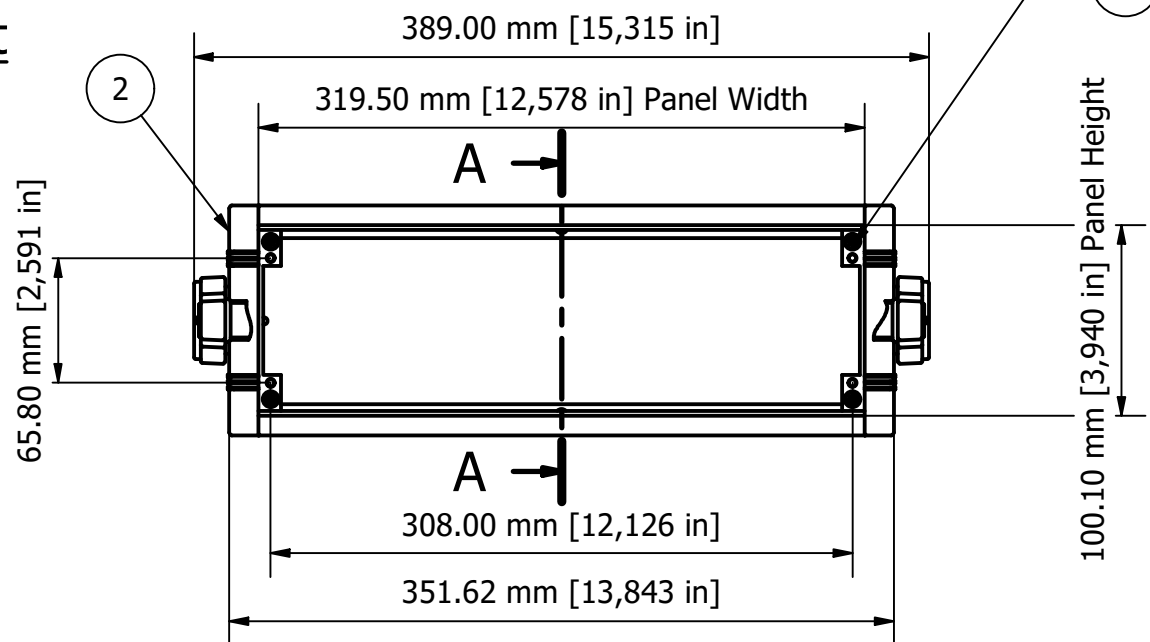
Rear



Base



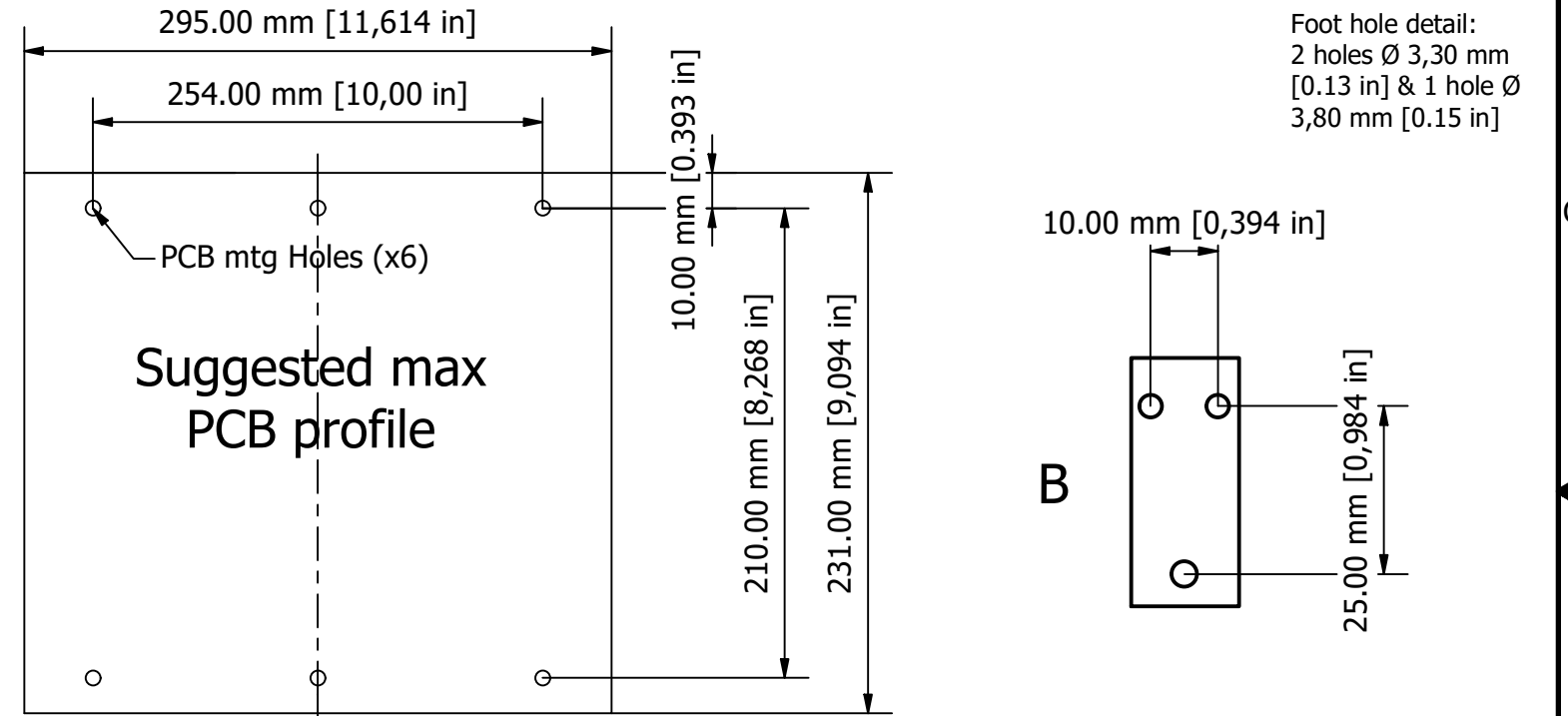
Front



Notes:
 1) Case is fabricated from 1.5 mm aluminium sheet with die cast & extrusion bezels.
 2) Case is powder coat painted fine texture with RAL 7040 bezels and RAL 7035 panels.

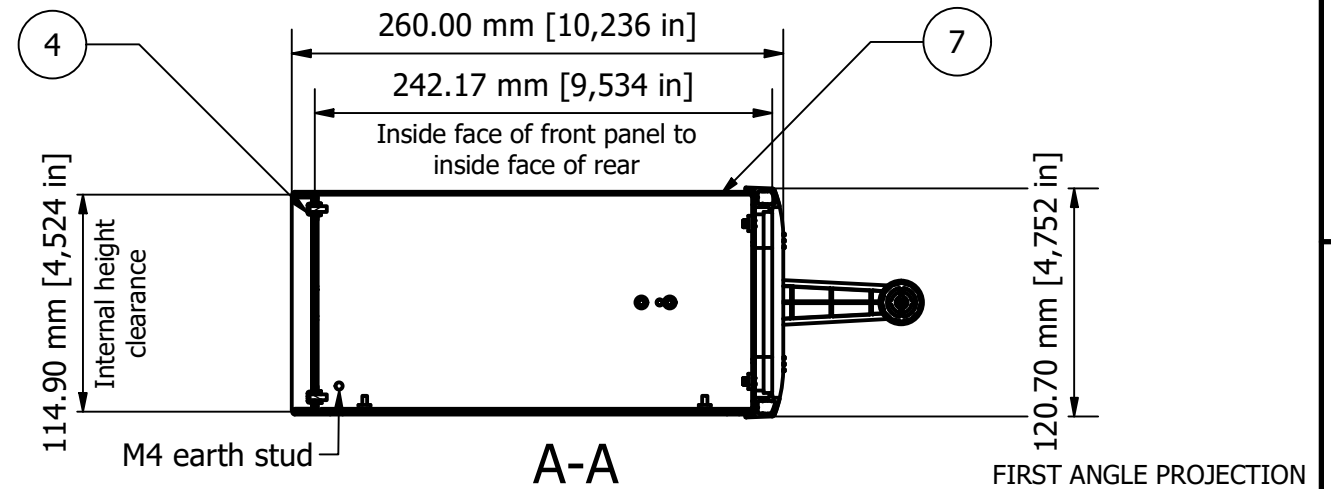
PARTS LIST

ITEM	QTY	PART NUMBER	DESCRIPTION
1	1	M56U2004	Rear Panel
2	1	M5605004	Bezel
3	4	M3x8 CSK Screw	Base Panel Screws
4	6	M3x8 Pan Screw	Rear Panel Screws
5	4	M4x16 Screw	Bezel Fixing Screws
6	1	M56U1003	Base Panel
7	1	M56U1054H	Top Cover
8	2	AS054231	Side Arm Kit
9	1	M5600035	Handle Bar



Foot hole detail:
 2 holes Ø 3,30 mm [0,13 in] & 1 hole Ø 3,80 mm [0,15 in]

Side



Designed by L Clark	Description Unimet 4H	Date 11/12/2012	Scale 1:4
METCASE ENCLOSURES 15 Brunel Way, Segensworth East, Fareham, Hampshire, UK. PO15 5TX Tel: +44 (0)1489 583858 Email: metcase@okw.co.uk		METcase™ www.metcase.com Part Number M5635225	
		Issue 2	Sheet 1 / 1