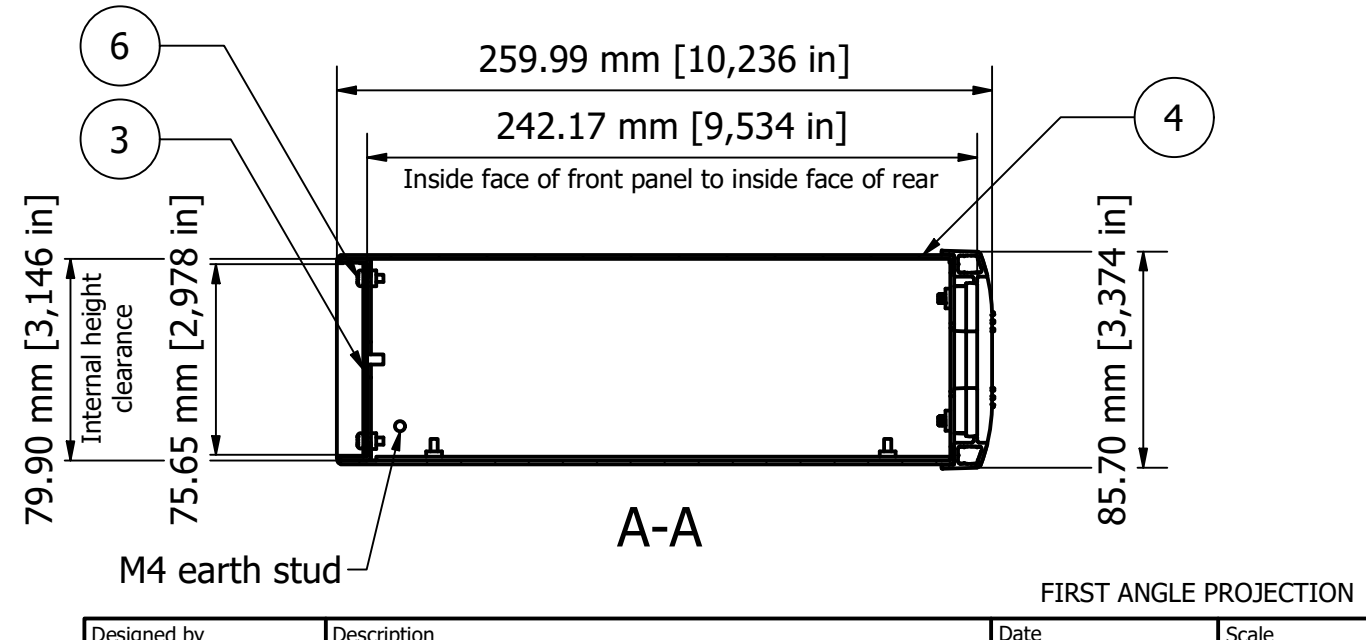
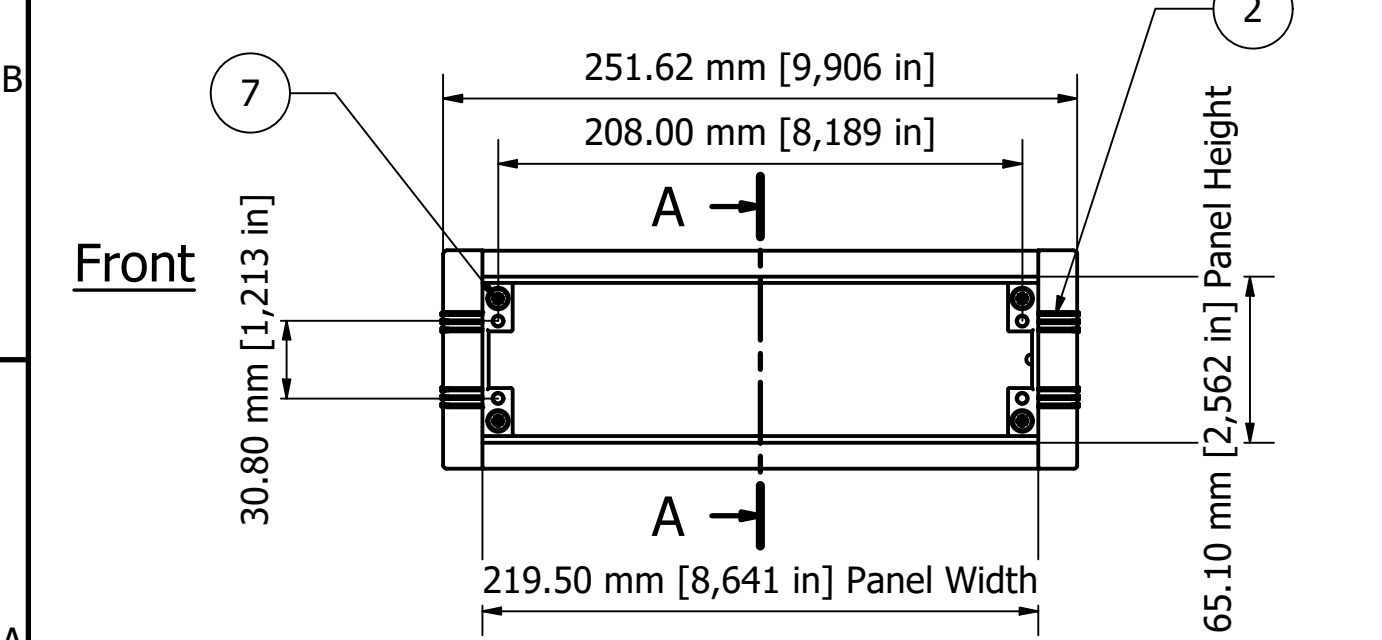
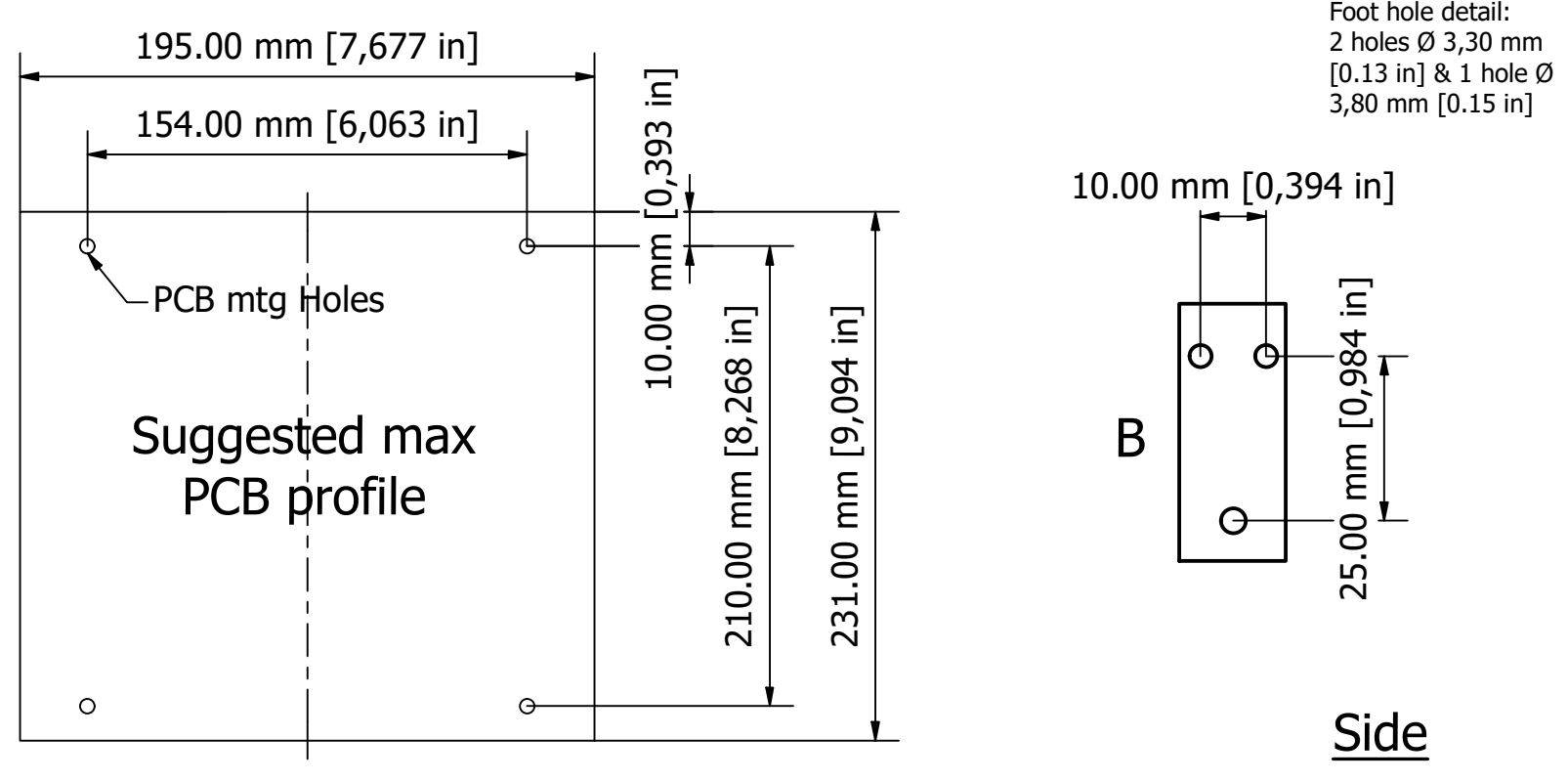
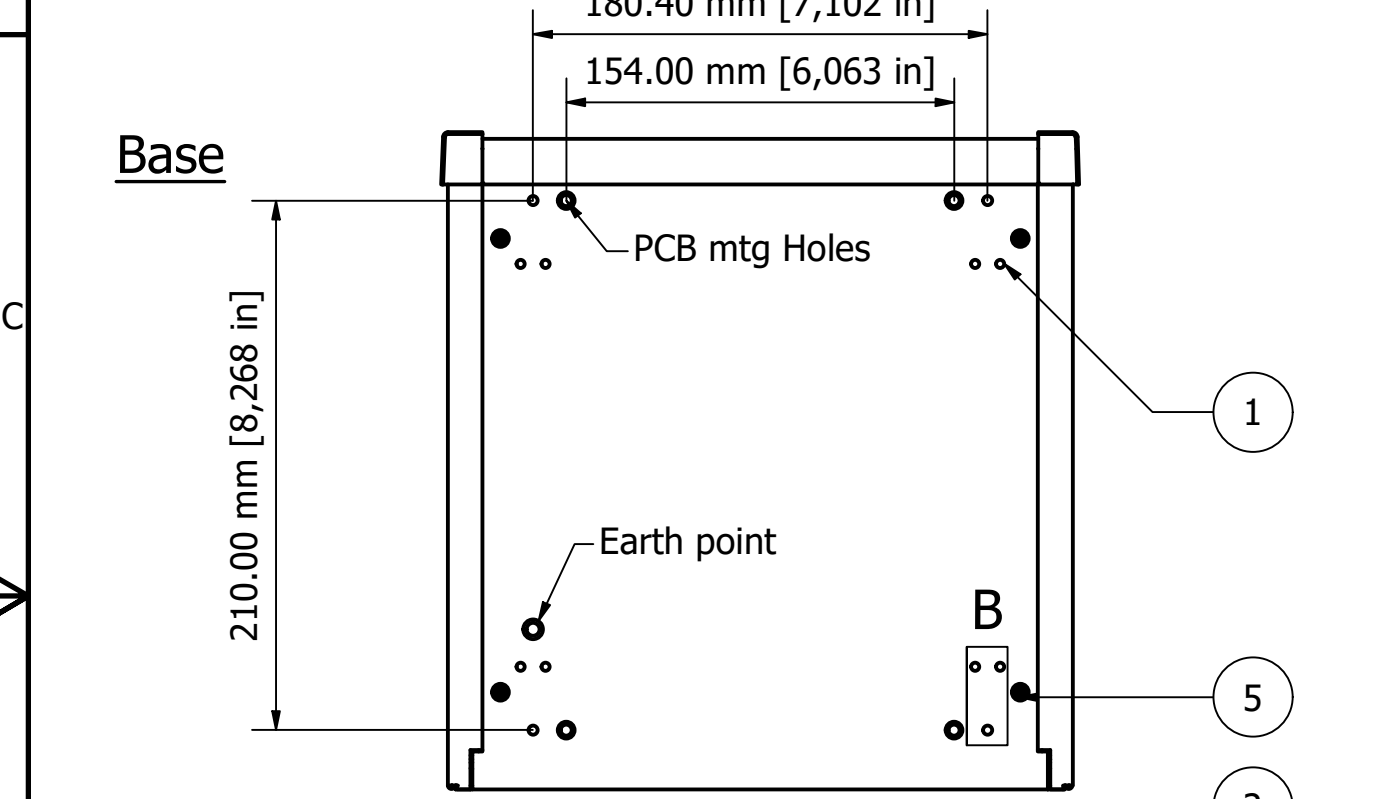


| PARTS LIST | | | |
|------------|-----|----------------------|---------------------|
| ITEM | QTY | PART NUMBER | DESCRIPTION |
| 1 | 1 | M56U1002 | Base Panel |
| 2 | 1 | M5605003 | Bezel |
| 3 | 1 | M56U2003 | Rear Panel |
| 4 | 1 | M56U1053 | Top Cover |
| 5 | 4 | M3 x 8 mm CSK Screw | Base Panel Screws |
| 6 | 4 | M3 x 8 mm Pan Screw | Rear Panel Screws |
| 7 | 4 | M4 x 16 mm CSK Screw | Bezel Fixing Screws |



Notes:
1) Case is fabricated from 1.5 mm aluminium sheet with die cast & extrusion bezels.
2) Case is powder coat painted fine texture with RAL 7040 bezels and RAL 7035 panels.

© OKW Enclosures Ltd (Date as shown). This drawing contains proprietary information of OKW Enclosures Ltd and is tendered subject to the following conditions. The information be retained in confidence, not be reproduced or copied, and not be used or incorporated in any product, unless permission is obtained in writing from OKW Enclosures Ltd.

| | | | |
|---|-------------------------|---|----------------|
| Designed by L Clark | Description Unimet 3 | Date 03/12/2012 | Scale 1:3 |
| METCASE ENCLOSURES 15 Brunel Way, Segensworth East, Fareham, Hampshire, UK. PO15 5TX Tel: +44 (0)1489 583858 Email: metcase@okw.co.uk | | METcase™ www.metcase.com Part Number M5625105 | |
| | | Issue 2 | Sheet 1 / 1 |