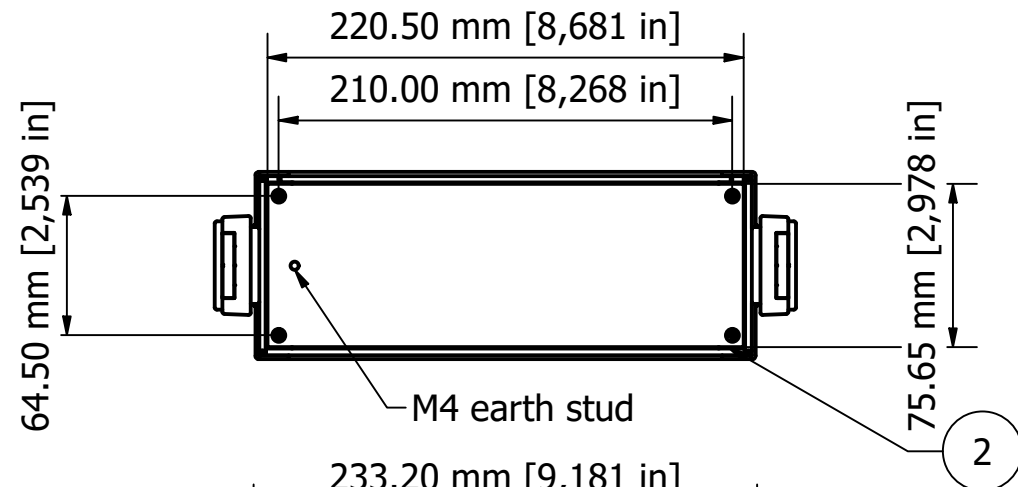
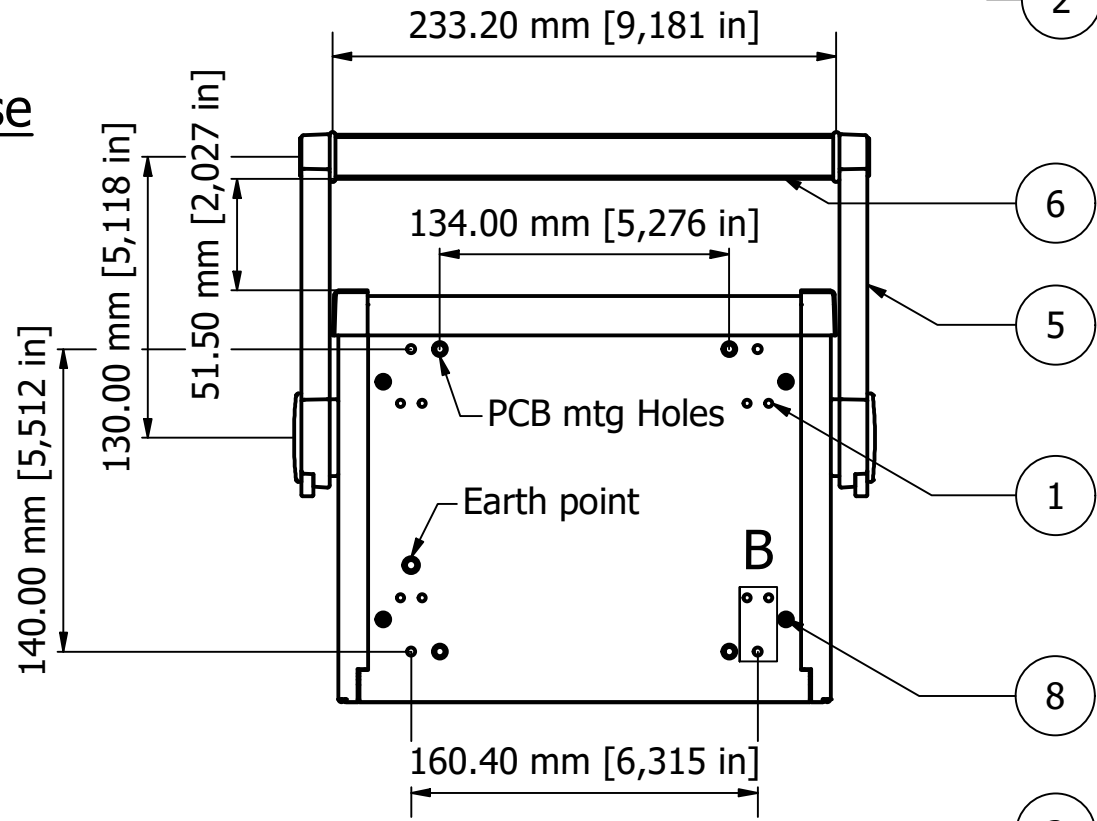


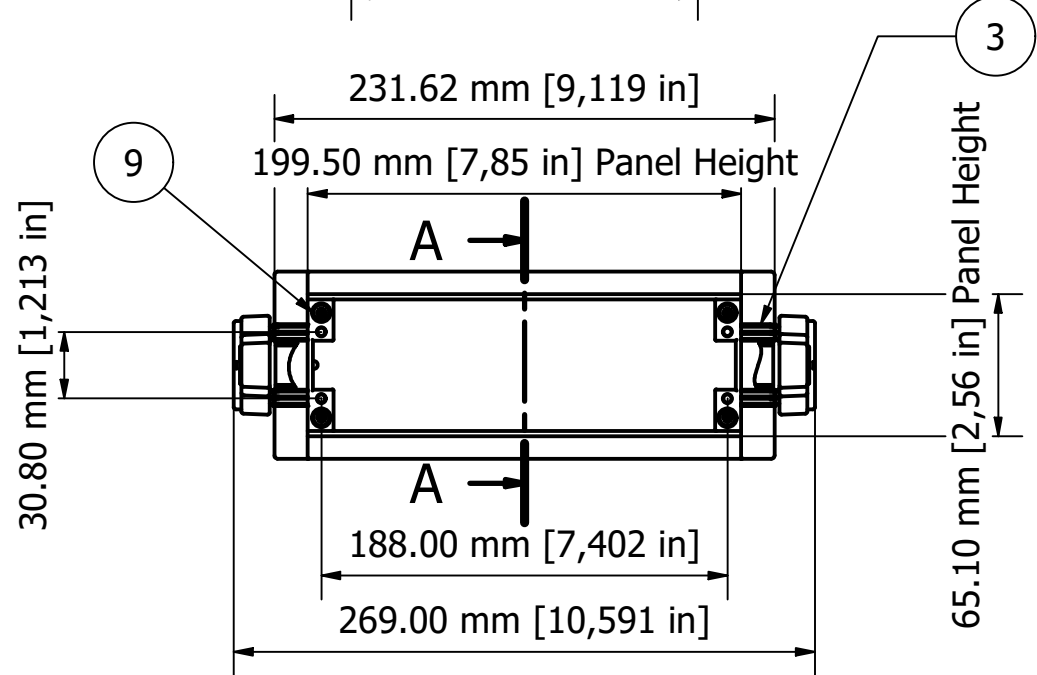
Rear



Base



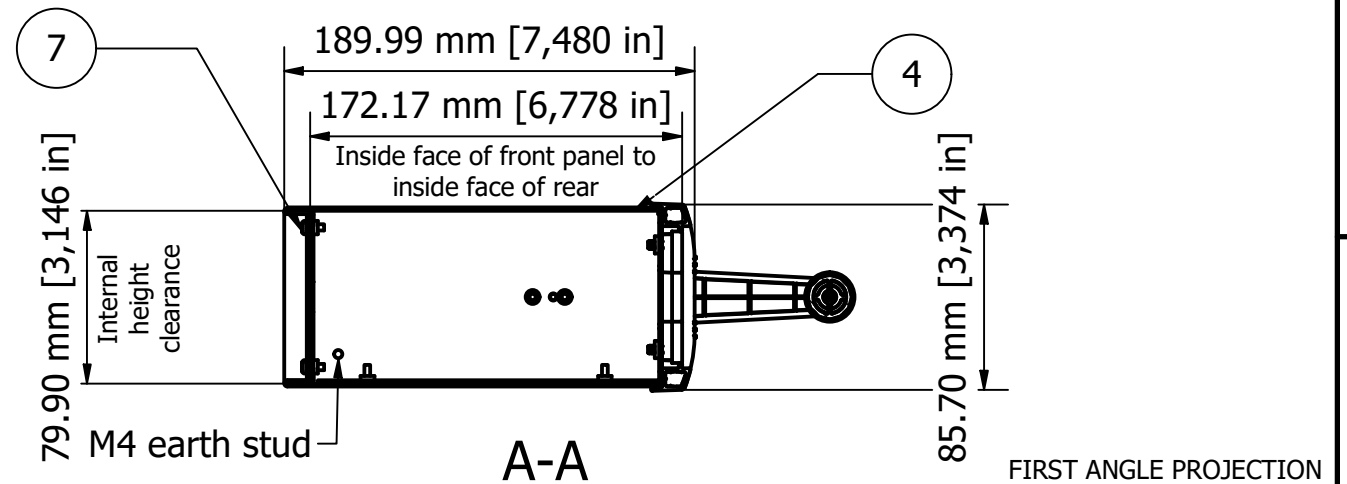
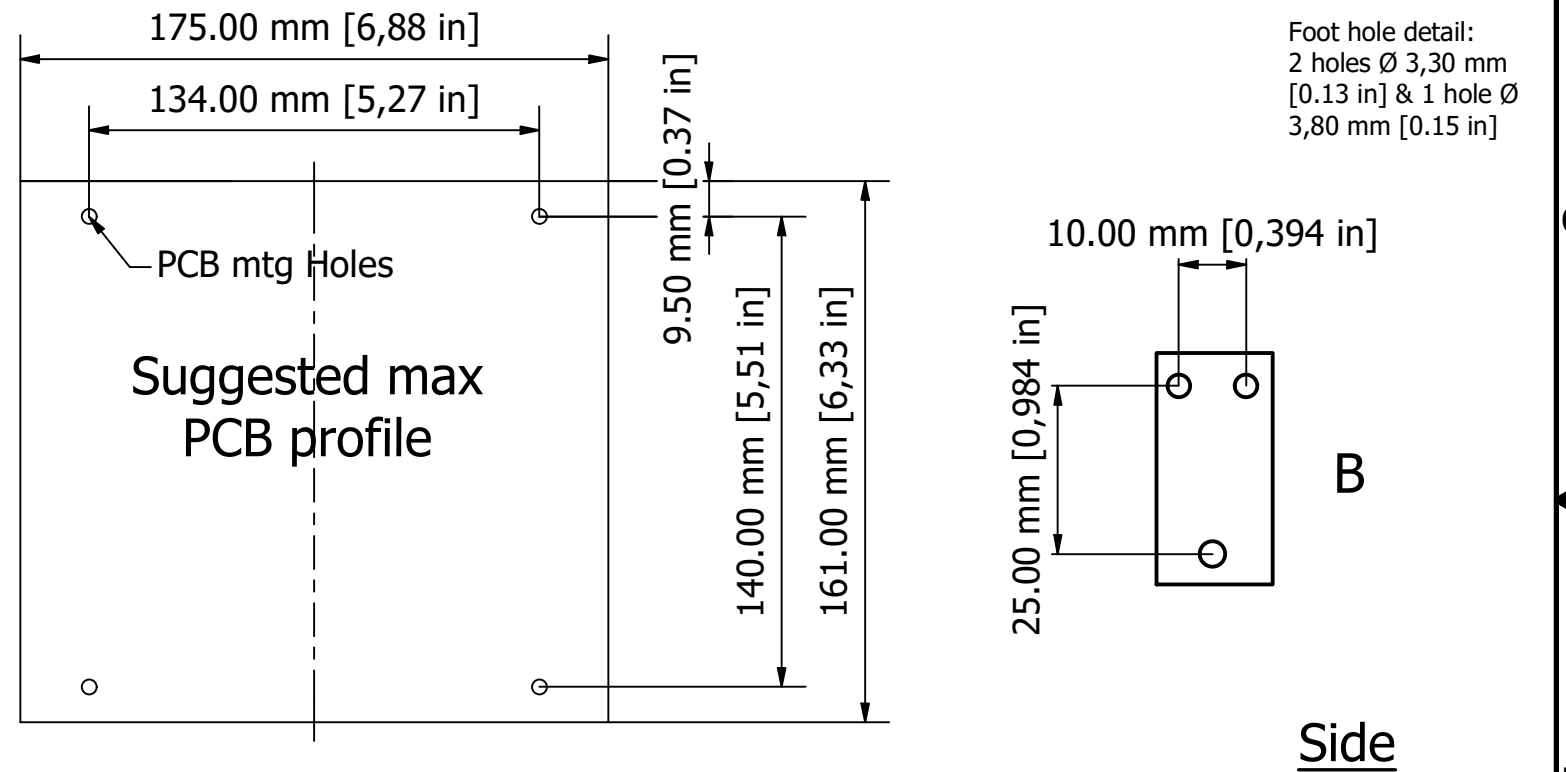
Front



Notes:  
 1) Case is fabricated from 1.5 mm aluminium sheet with die cast & extrusion bezels.  
 2) Case is powder coat painted fine texture with RAL 7040 bezels and RAL 7035 panels.

PARTS LIST

ITEM	QTY	PART NUMBER	DESCRIPTION
1	1	M56U1001	Base Panel
2	1	M56U2002	Rear Panel
3	1	M5605002	Bezel
4	1	M56U1052H	Top Cover
5	2	AS054231	Side Arm Kit
6	1	M5600023	Handle Bar
7	4	M3 x 8 mm Pan Screw	Rear Panel Screws
8	4	M3 x 8 mm CSK Screw	Base Panel Screws
9	4	M4 x 16 mm CSK Screw	Bezel Fixing Screws



Designed by L Clark	Description Unimet 2H	Date 11/12/2012	Scale 1:3.5
<b>METCASE ENCLOSURES</b> 15 Brunel Way, Segensworth East, Fareham, Hampshire, UK. PO15 5TX Tel: +44 (0)1489 583858 Email: metcase@okw.co.uk		<b>METcase™</b> www.metcase.com Part Number <b>M5623125</b>	
		Issue 2	Sheet 1 / 1