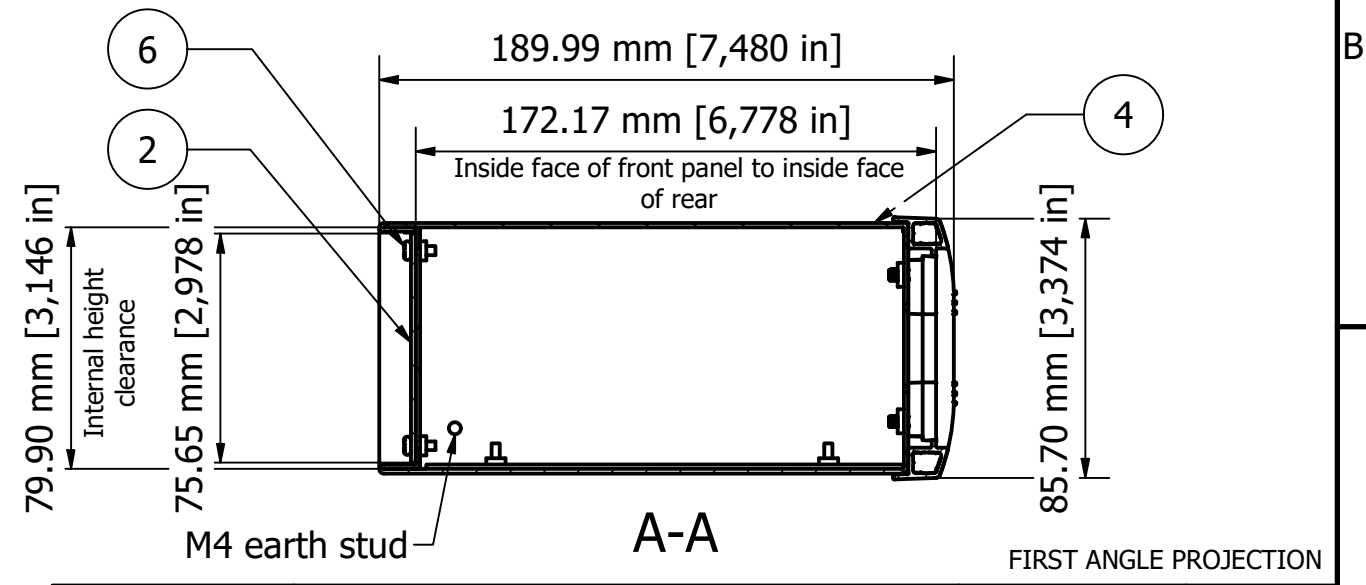
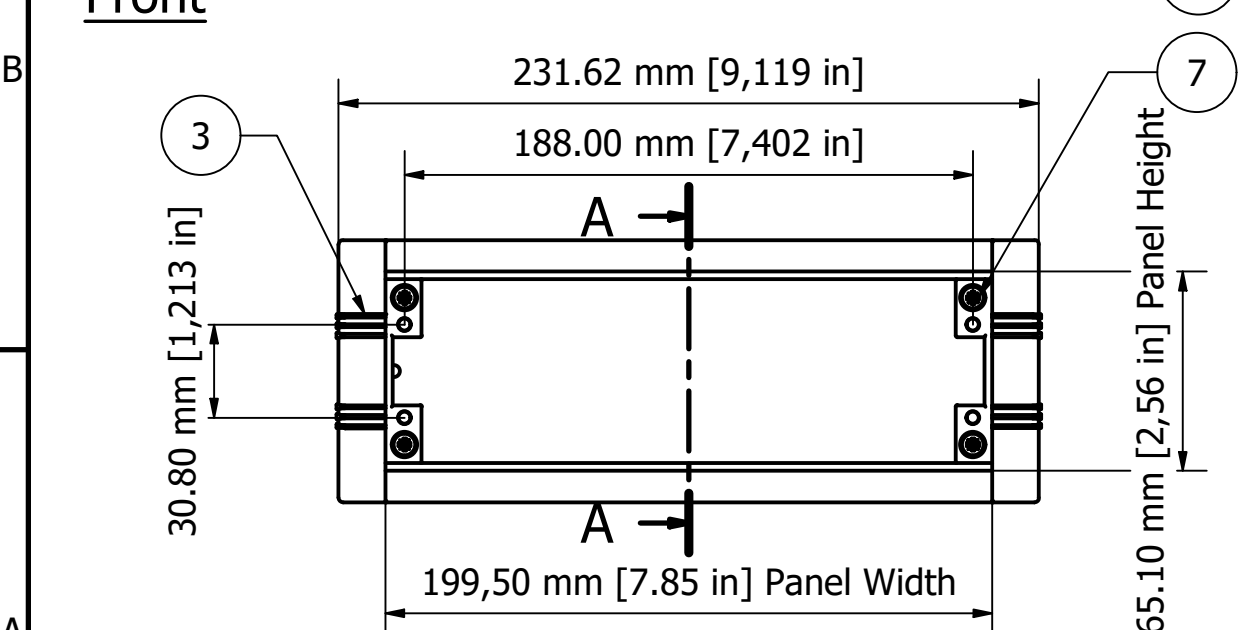
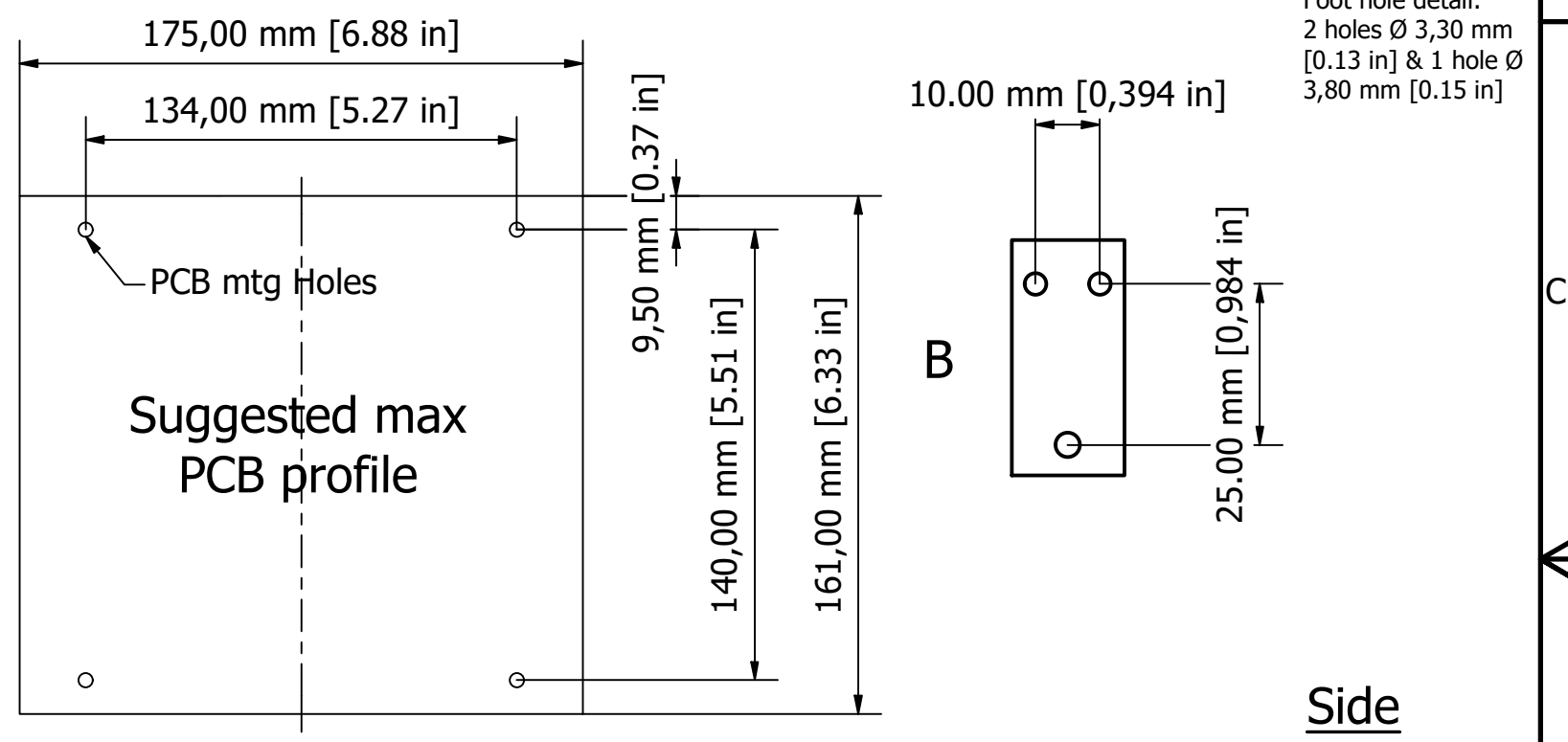
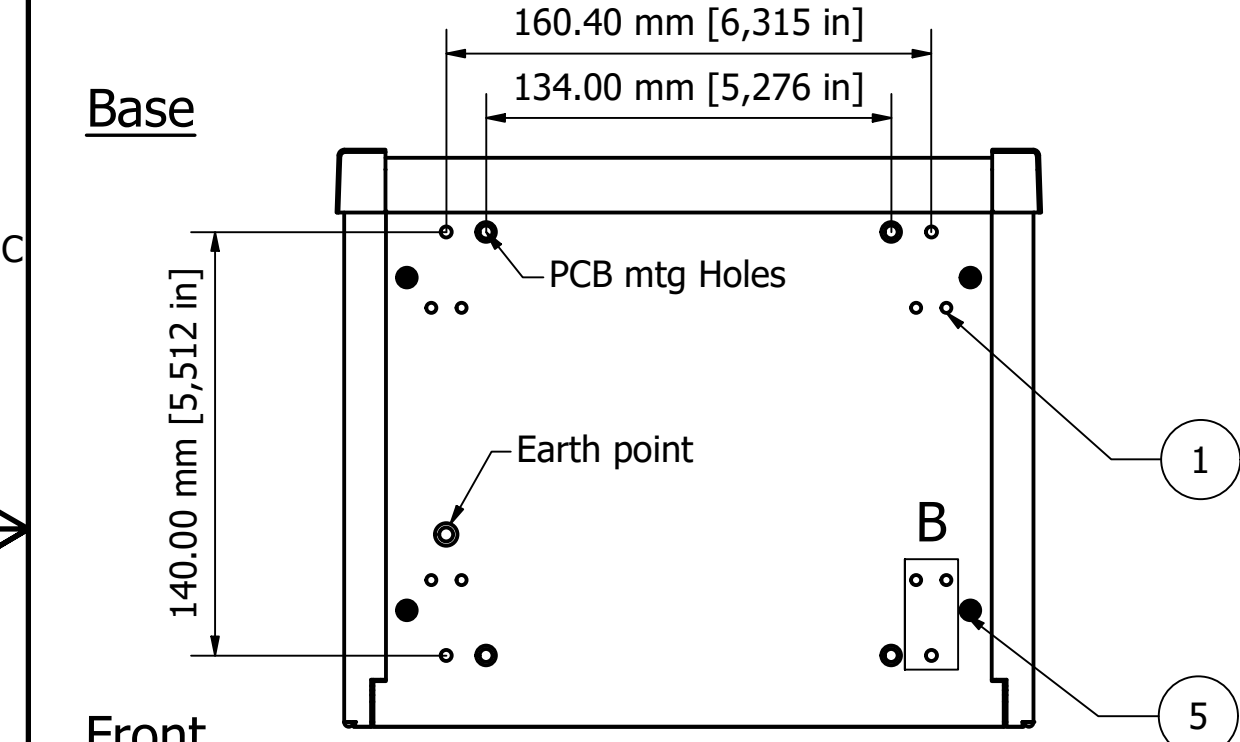


PARTS LIST			
ITEM	QTY	PART NUMBER	DESCRIPTION
1	1	M56U1001	Base Panel
2	1	M56U2002	Rear Panel
3	1	M5605002	Bezel
4	1	M56U1052	Top Cover
5	4	M3 x 8 mm CSK Screw	Base Panel Screws
6	4	M3 x 8 mm Pan Screw	Rear Panel Screws
7	4	M4 x 16 mm CSK Screw	Bezel Fixing Screws



- Notes:
- 1) Case is fabricated from 1.5 mm aluminium sheet with die cast & extrusion bezels.
 - 2) Case is powder coat painted fine texture with RAL 7040 bezels and RAL 7035 panels.

© OKW Enclosures Ltd (Date as shown). This drawing contains proprietary information of OKW Enclosures Ltd and is tendered subject to the following conditions. The information be retained in confidence, not be reproduced or copied, and not be used or incorporated in any product, unless permission is obtained in writing from OKW Enclosures Ltd.

Designed by L Clark	Description Unimet 2	Date 03/12/2012	Scale 1:2.5
METCASE ENCLOSURES 15 Brunel Way, Segensworth East, Fareham, Hampshire, UK. PO15 5TX Tel: +44 (0)1489 583858 Email: metcase@okw.co.uk		METcase™ www.metcase.com Part Number M5623105	
		Issue 2	Sheet 1 / 1