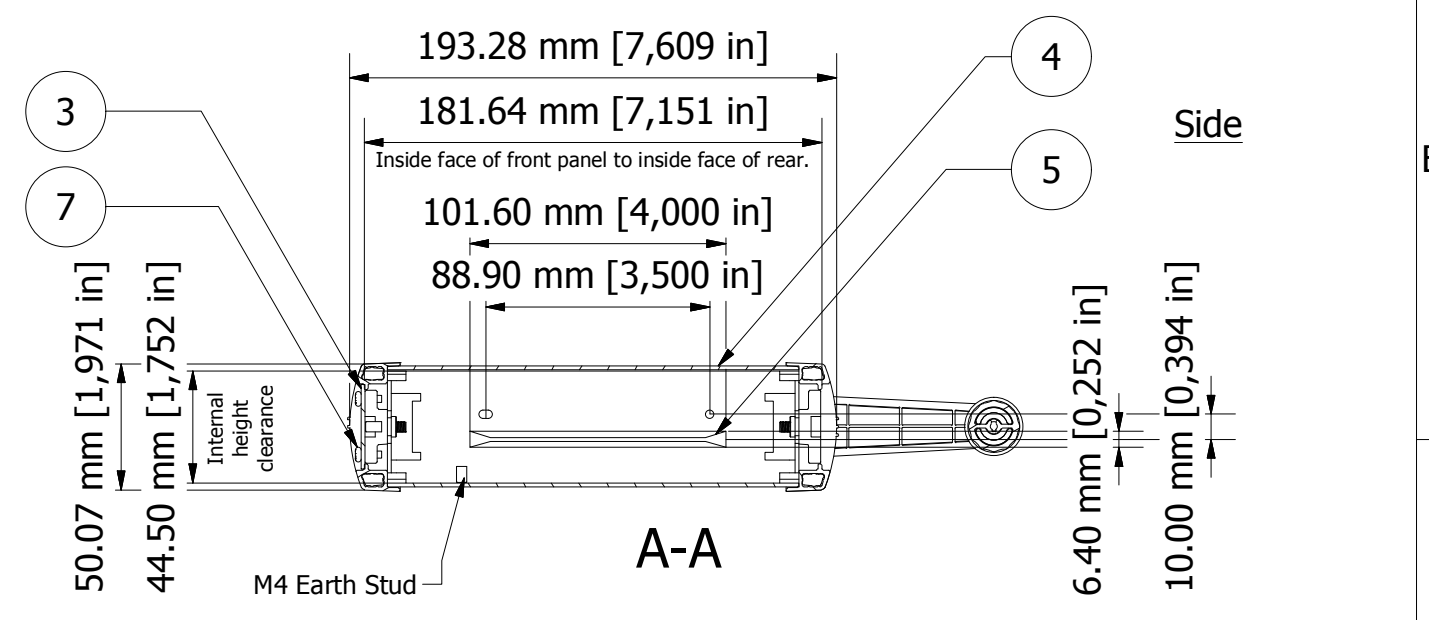
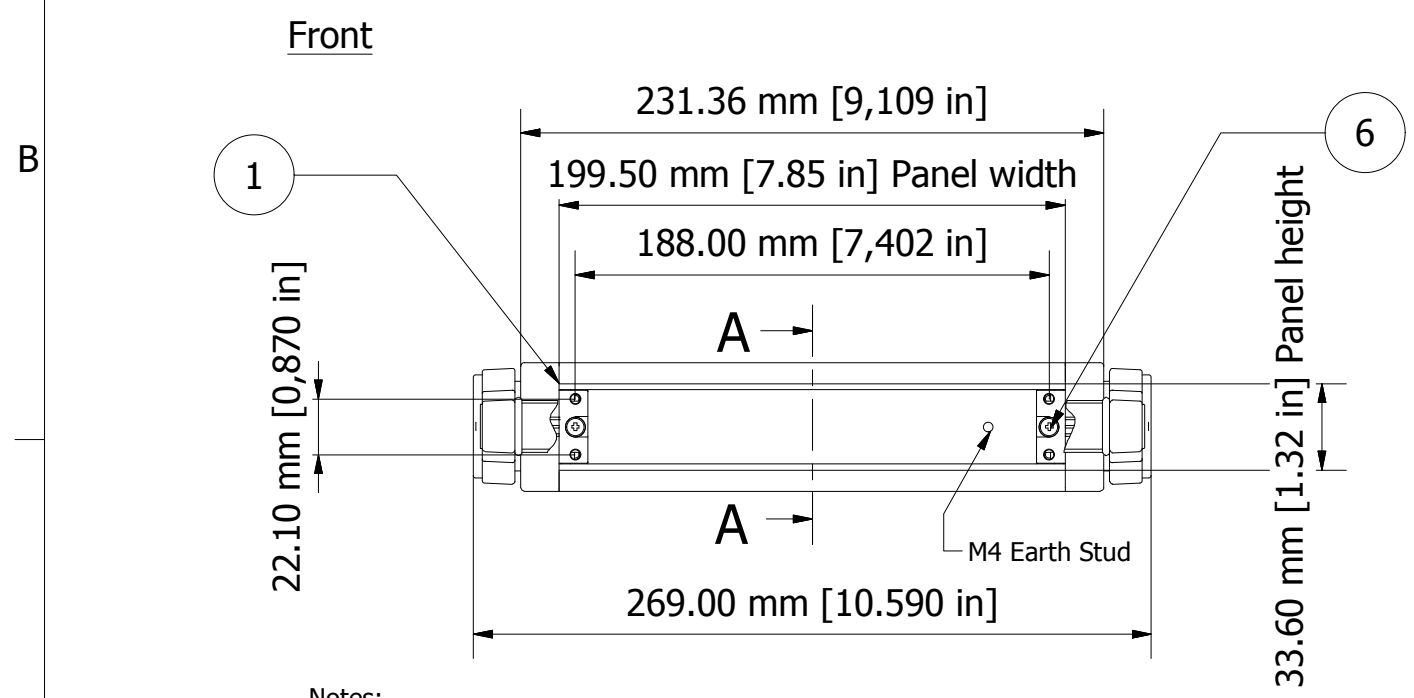
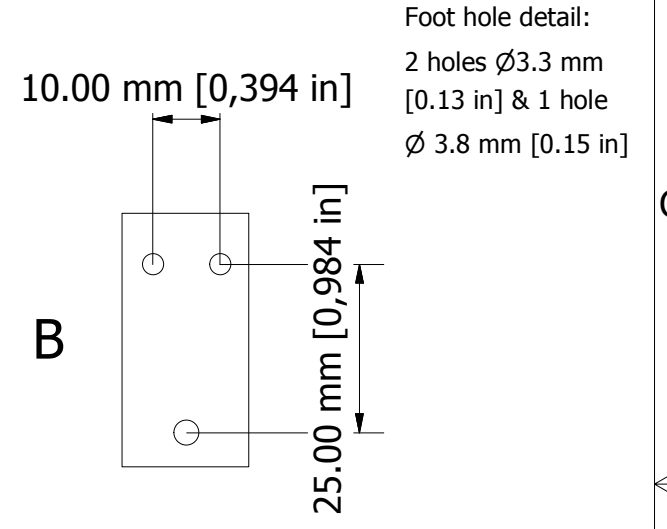
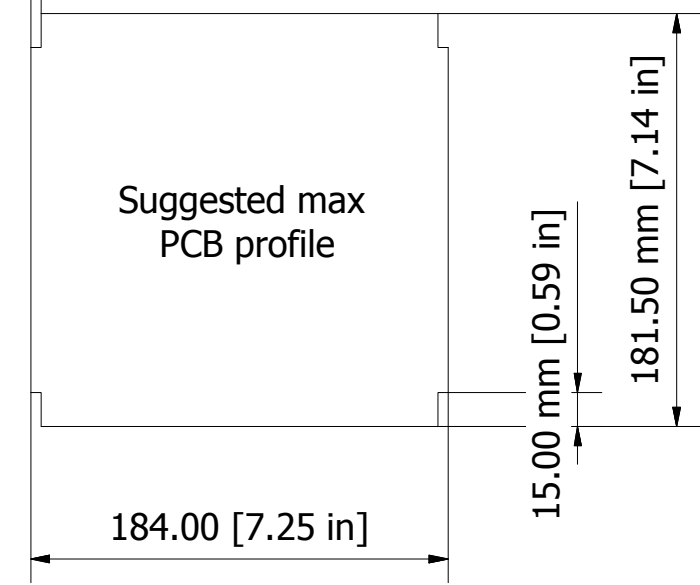


PARTS LIST			
ITEM	QTY	PART NUMBER	DESCRIPTION
1	2	M5605001	Front/Rear Bezel
2	1	M5601030	Base/Chassis Assembly
3	1	M5602009	Rear Panel
4	1	M5601062	Top Cover
5	4	M5700203	Rack Card Guide
6	4	M4 x 10 mm CSK	Bezel Fixing
7	4	M3 x 8 mm Pan Screw	Rear Panel Screws
8	2	AS054231	Side Arm Kit
9	1	M5600023	Handle Bar

4.50 mm [0.18 in]



- Notes:
- 1) Case is fabricated from 1.5 mm aluminium sheet with die cast & extrusion bezels.
 - 2) Case is powder coat painted fine texture with RAL 7040 bezels and RAL 7035 panelwork.
 - 3) Cover, base and rear panel all have M4 x 8 mm studs for earthing points.
 - 4) Case supplied with 4 off plastic card guides - M5700203.

© OKW Enclosures Ltd (Date as shown). This drawing contains proprietary information of OKW Enclosures Ltd and is tendered subject to the following conditions. The information be retained in confidence, not be reproduced or copied, and not be used or incorporated in any product, unless permission is obtained in writing from OKW Enclosures Ltd.

Designed by L Clark	Description Unimet-Plus 1H	Date 20/04/2012	Scale 1:3
------------------------	-------------------------------	--------------------	--------------

METCASE ENCLOSURES 15 Brunel Way, Segensworth East, Fareham, Hampshire, UK. PO15 5TX Tel: +44 (0)1489 583858 Email: metcase@okw.co.uk		METcase™ www.metcase.com Part Number M5623035	Issue 1	Sheet 1 / 1
-------------------------------------------------------------------------------------------------------------------------------------------------------	--	---------------------------------------------------------------	------------	----------------

FIRST ANGLE PROJECTION