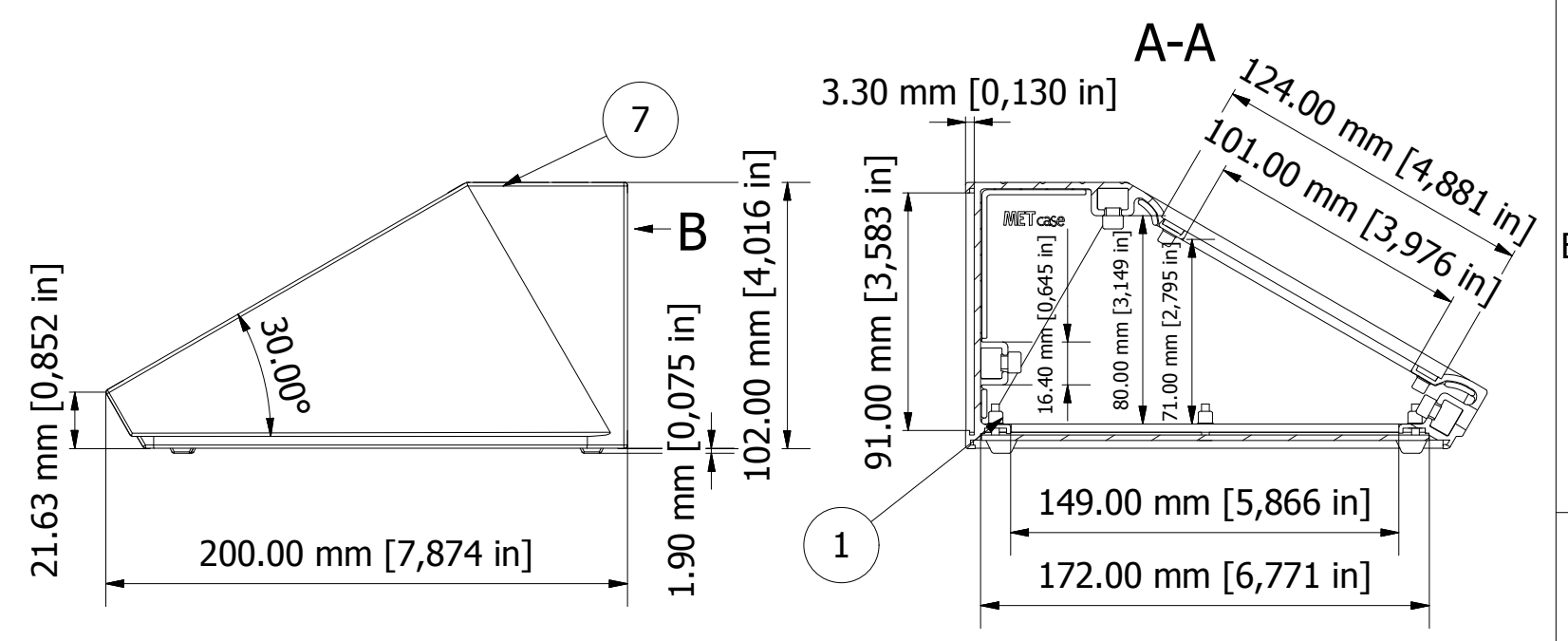
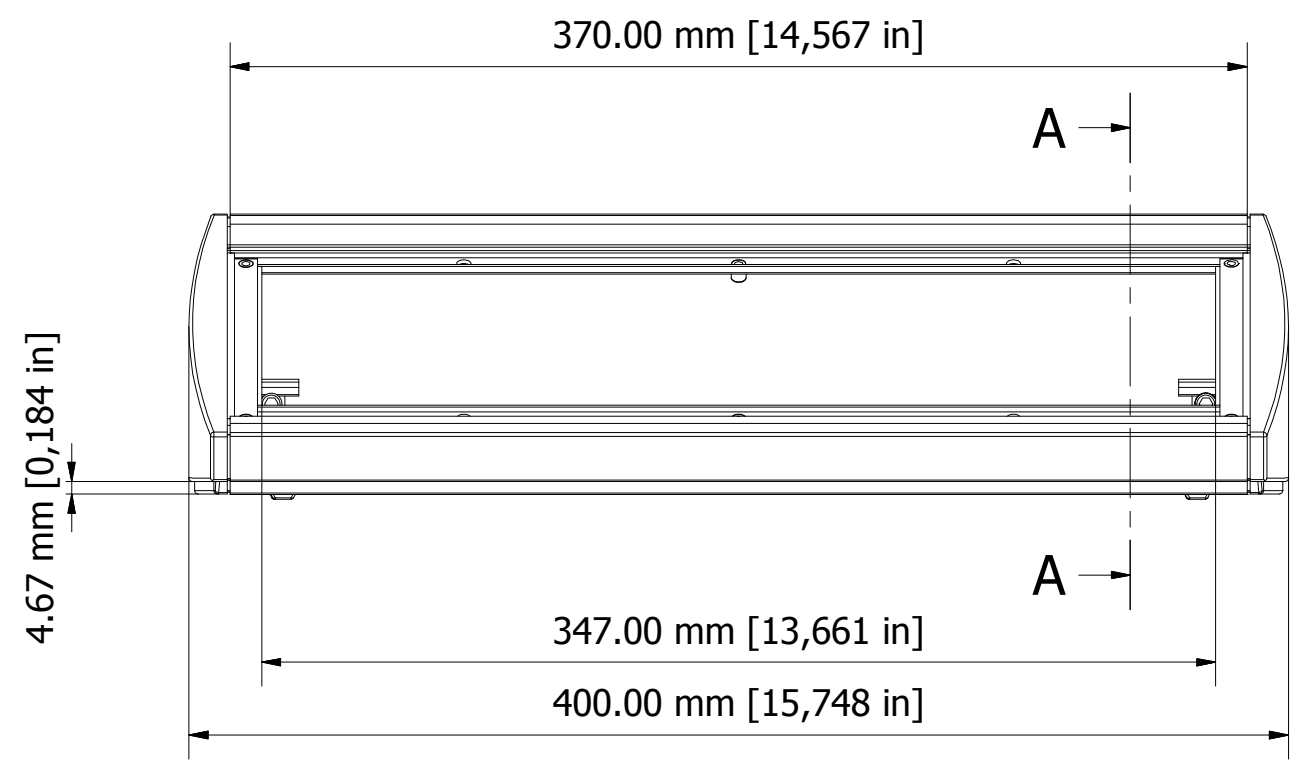
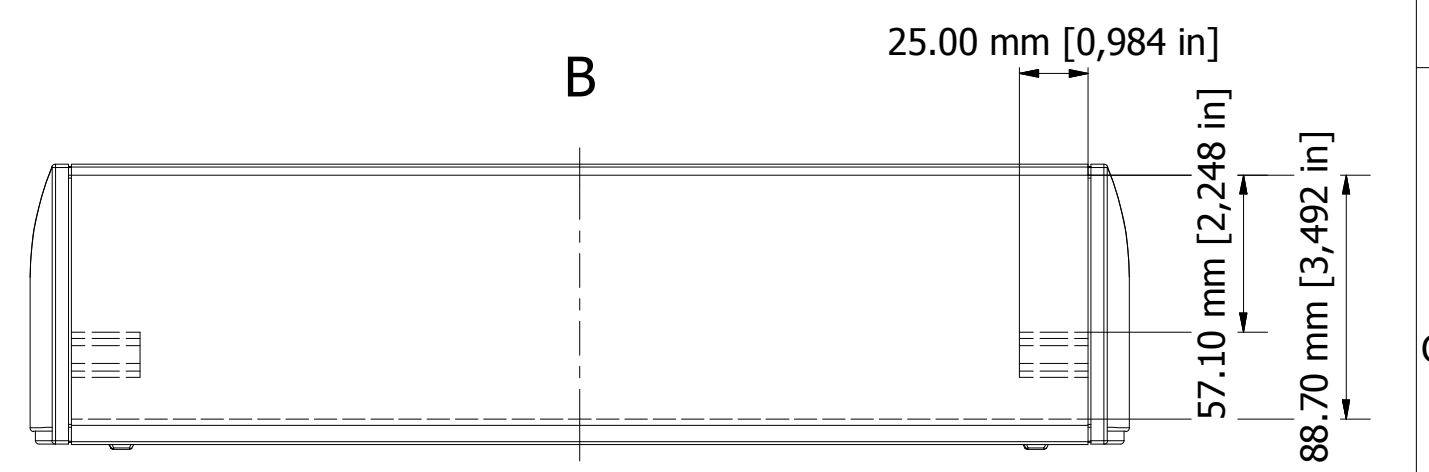
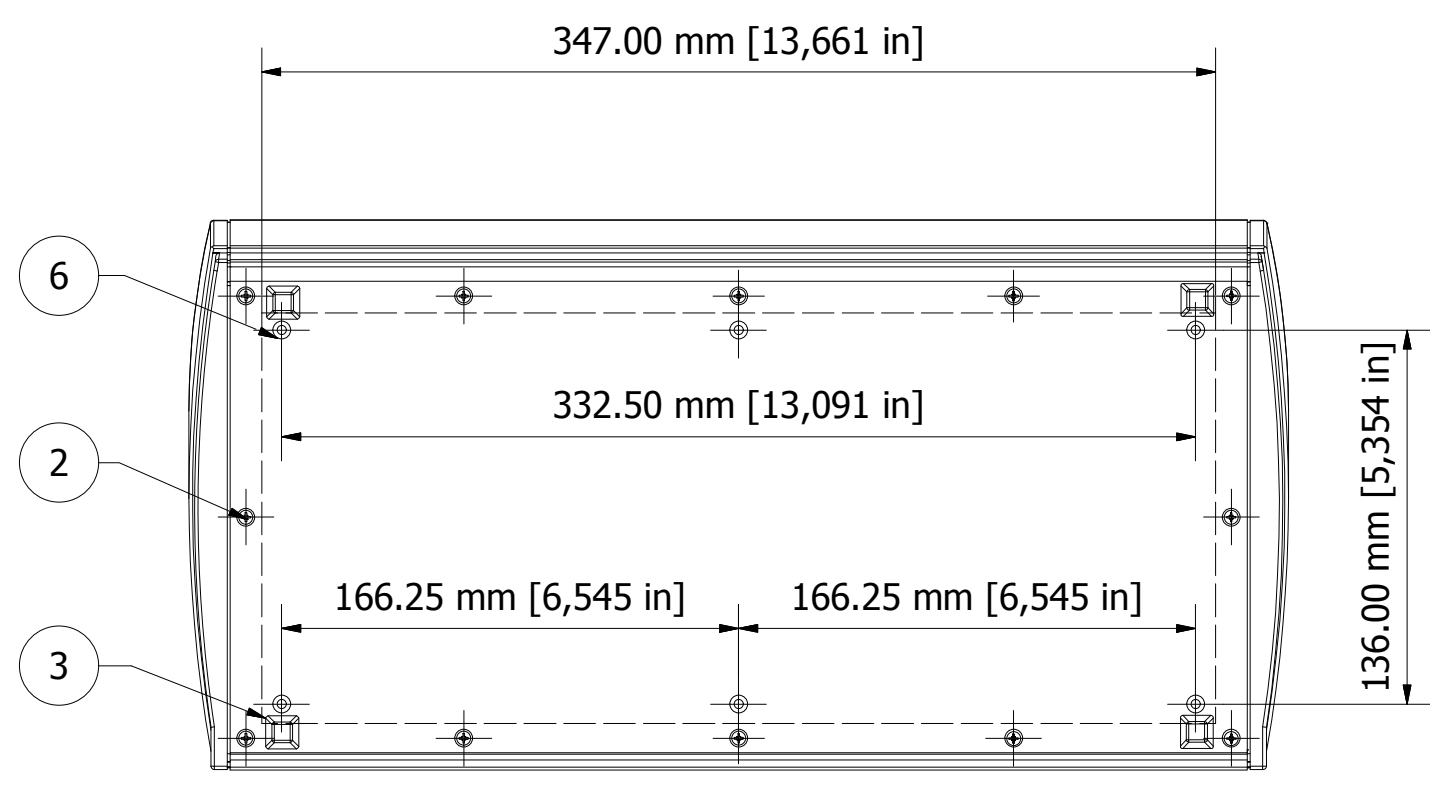


6 5 4 3 2 1

PARTS LIST			
ITEM	QTY	PART NUMBER	DESCRIPTION
1	18	M3 pull up insert	M3 Insert
2	20	M3 x 12 mm CSK Screw	Fixing Screws
2	20	M3 x 12 mm Torx Screw	Fixing Screws
3	4	Non slip foot	Rubber Feet
6	1	M5301104	Base Panel
7	1	M5300045	Sub Assembly

D
C
B
A



Notes: Case comes fully assembled,
Drawing not completely to first angle projection.
Non sealing gasket version (M5340115).

© OKW Enclosures Ltd (Date as shown). This drawing contains proprietary information of OKW Enclosures Ltd and is tendered subject to the following conditions. The information be retained in confidence, not be reproduced or copied, and not be used or incorporated in any product, unless permission is obtained in writing from OKW Enclosures Ltd.

Designed by L Clark	Description Unidesk M400 Light Grey, RAL 7035	Date 05/11/2014	Scale 1:2.75
METCASE ENCLOSURES 15 Brunel Way, Segensworth East, Fareham, Hampshire, UK. PO15 5TX Tel: +44 (0)1489 583858 Email: metcase@okw.co.uk		METcase™ www.metcase.com Part Number M5340115	
		Issue 1	Sheet 1 / 1

6 5 4 3 2 1