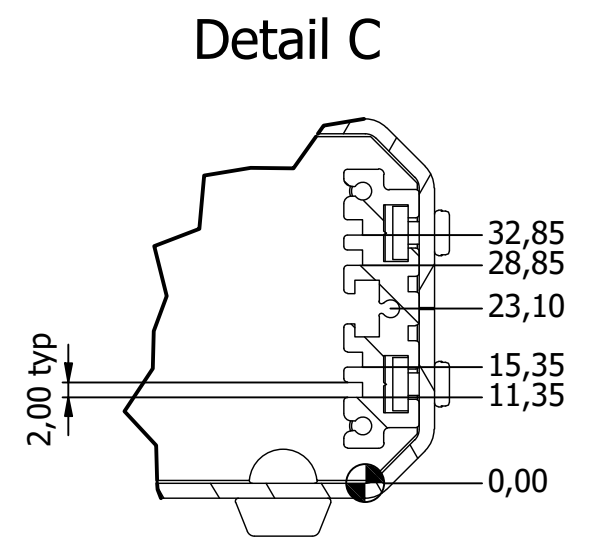
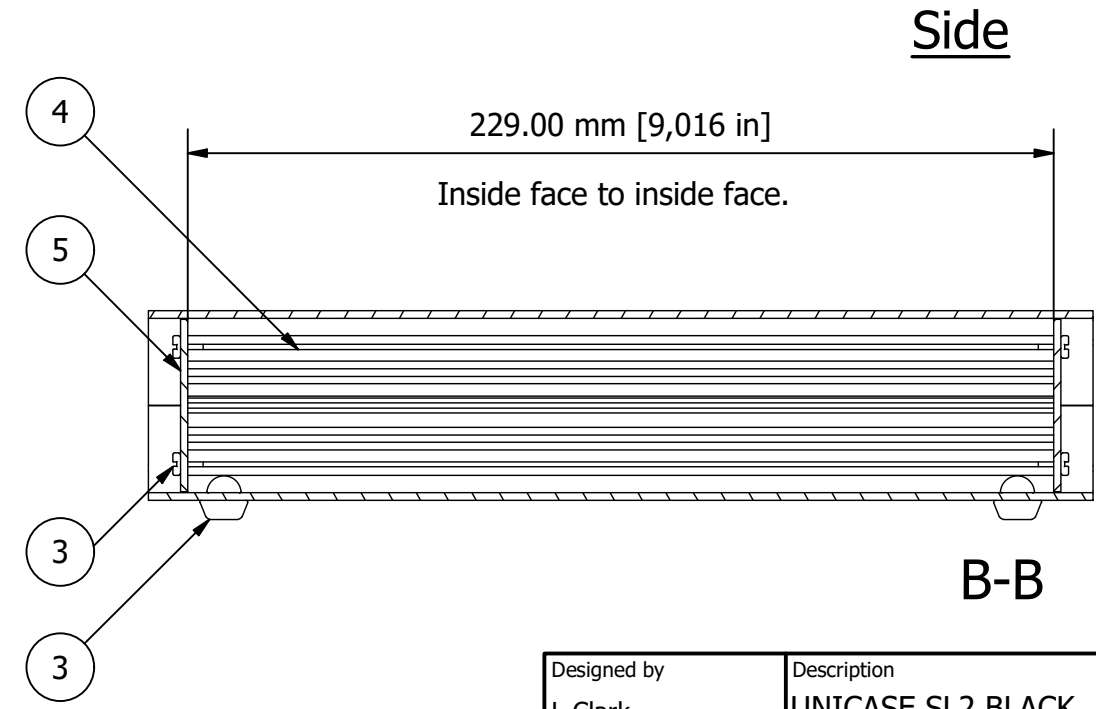
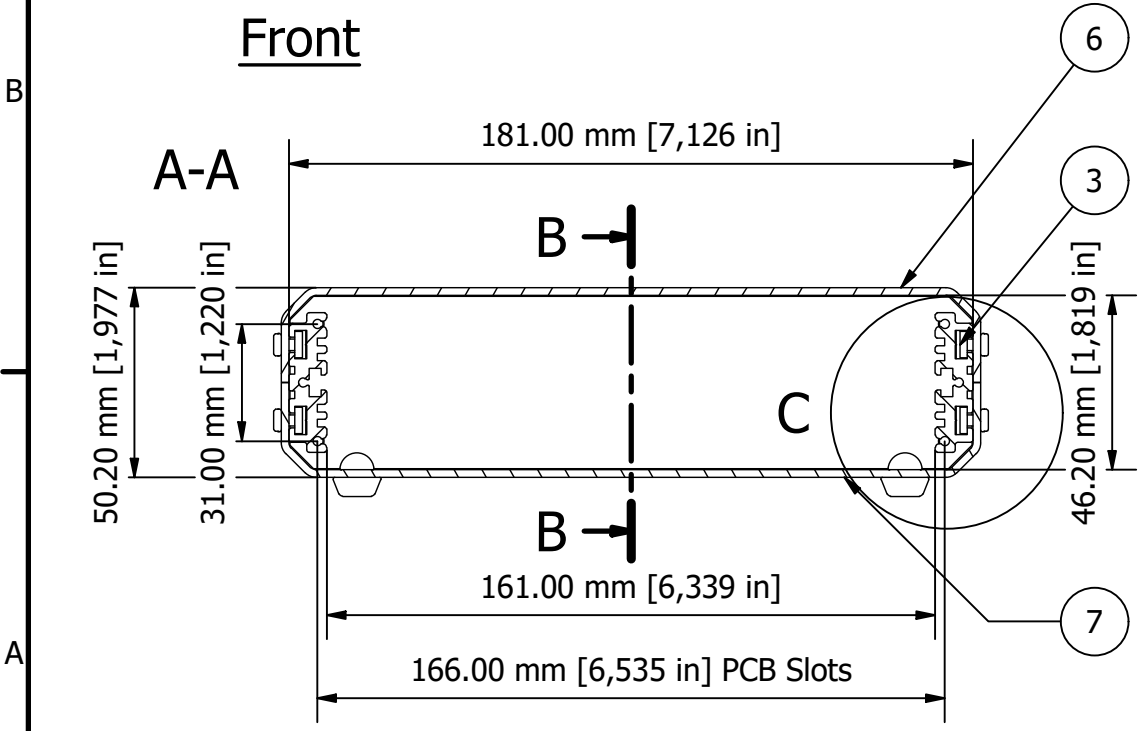
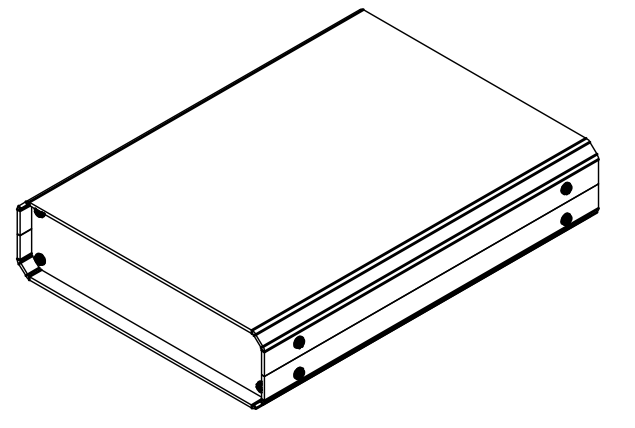
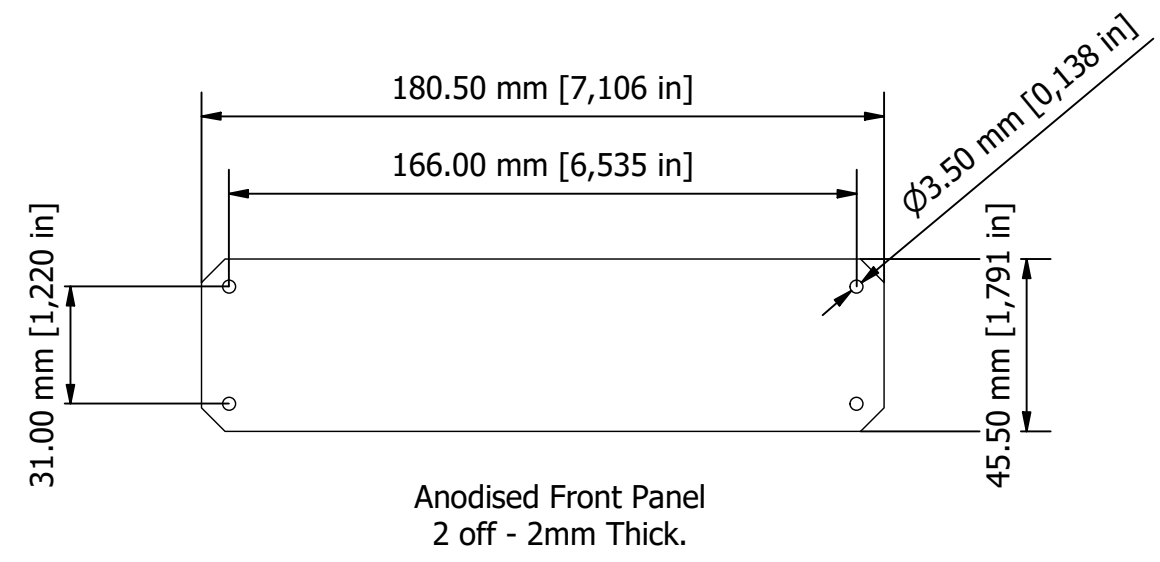


PARTS LIST			
ITEM	QTY	PART NUMBER	DESCRIPTION
3	1	M5403016	Unibase Assembly Kit
4	2	M5400003	Extrusion
5	2	M5402022	Front/Rear Panel
6	1	M5409052	Top Panel
7	1	M5409152	Base Panel



© OKW Enclosures Ltd (Date as shown). This drawing contains proprietary information of OKW Enclosures Ltd and is tendered subject to the following conditions. The information be retained in confidence, not be reproduced or copied, and not be used or incorporated in any product, unless permission is obtained in writing from OKW Enclosures Ltd.

Designed by L Clark	Description UNICASE SL2 BLACK	Date 02/07/2013	Scale 1:2
METCASE ENCLOSURES 15 Brunel Way, Segensworth East, Fareham, Hampshire, UK. PO15 5TX Tel: +44 (0)1489 583858 Email: metcase@okw.co.uk		METcase™ www.metcase.com Part Number M5512119	
		Issue 1	Sheet 1 / 1