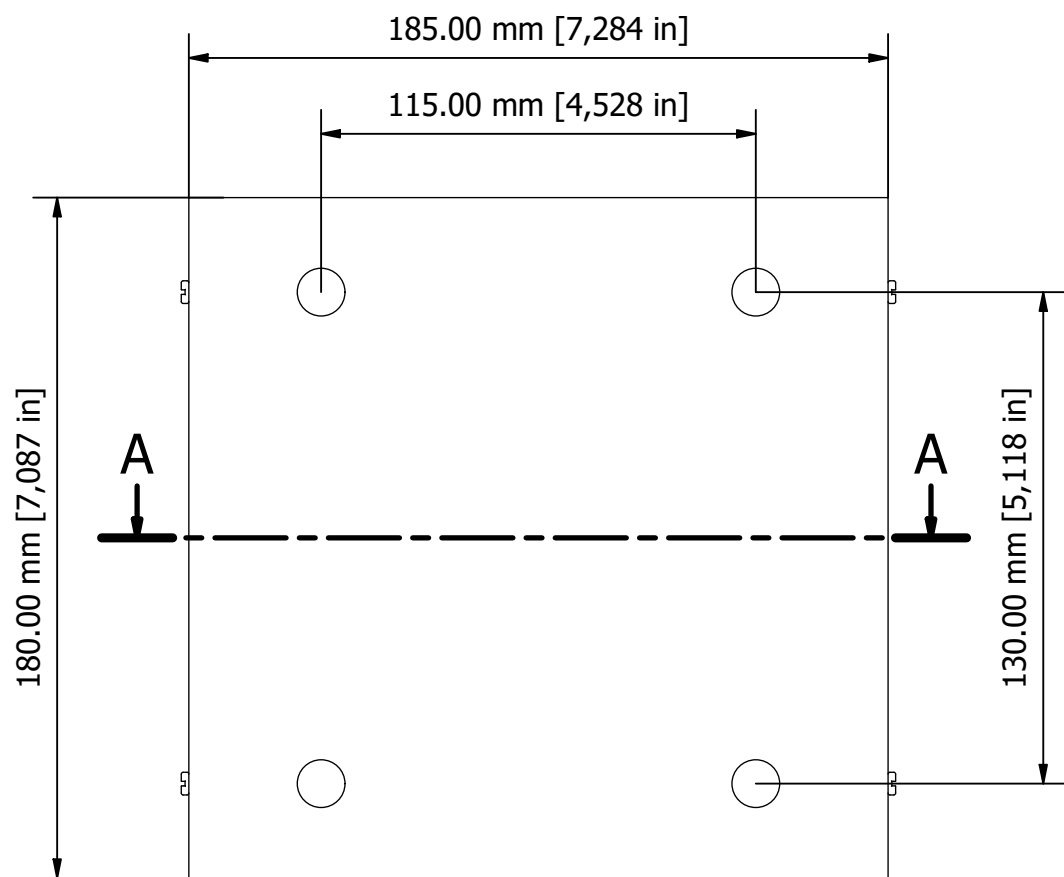
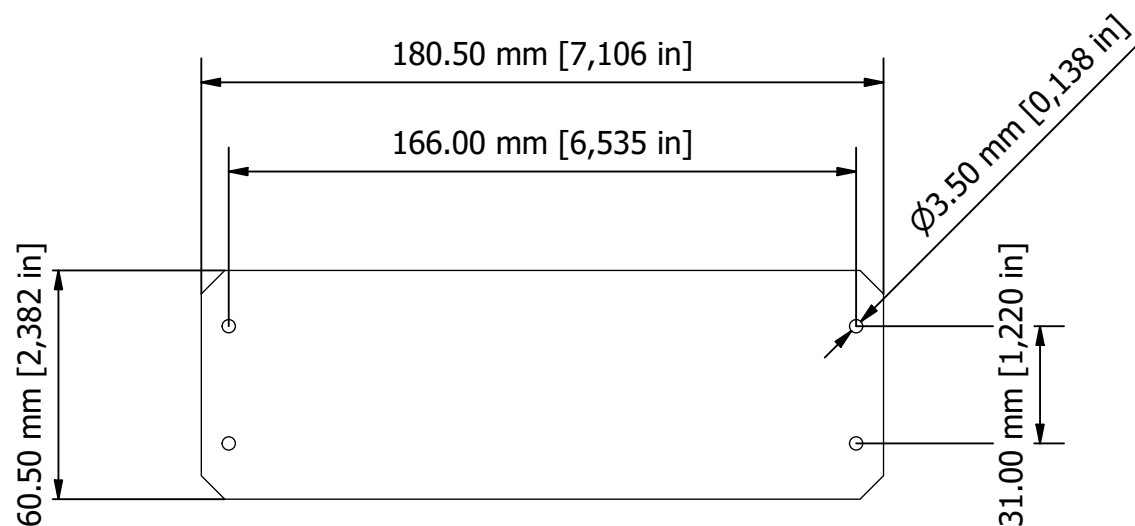


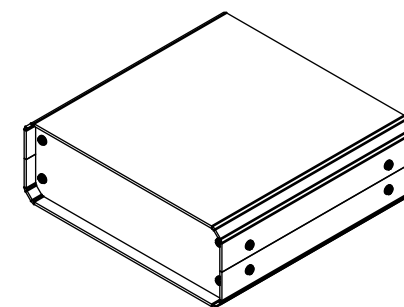
Base



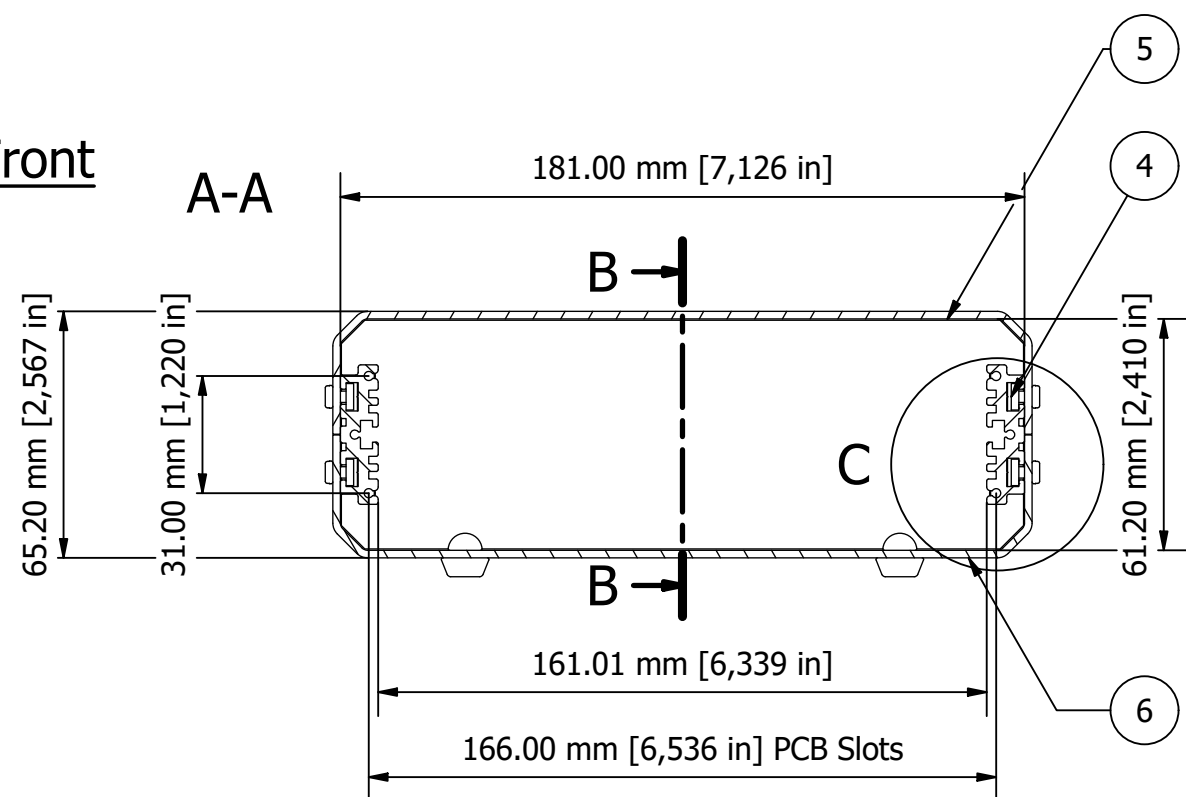
PARTS LIST			
ITEM	QTY	PART NUMBER	DESCRIPTION
1	2	M5400002	Extrusion
4	1	M5403016	Unicase Assembly Kit
5	1	M5401002	Top Cover
6	1	M5401114	Base Panel
7	2	M5402001	Front/Rear Panel



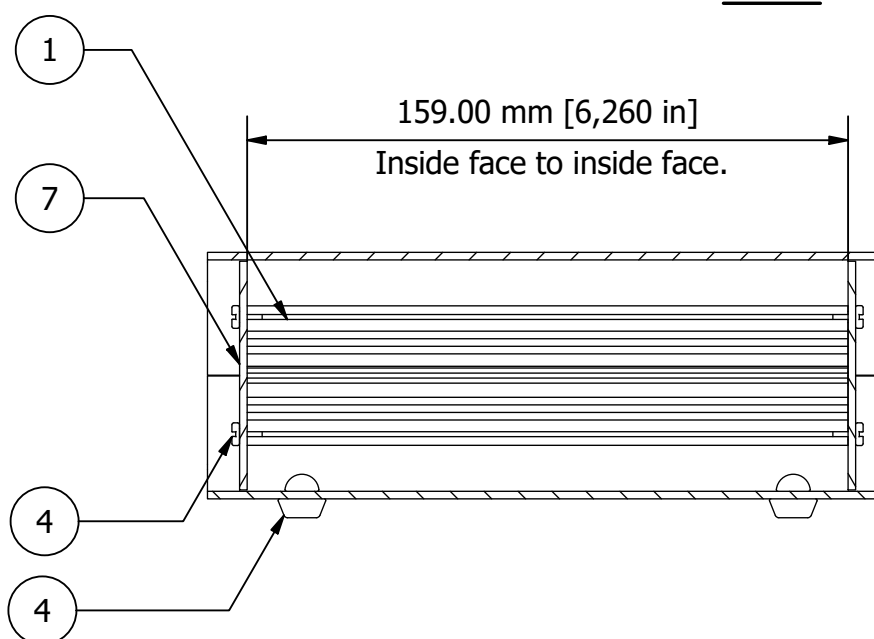
Anodised Front Panel
2 off - 2mm Thick.



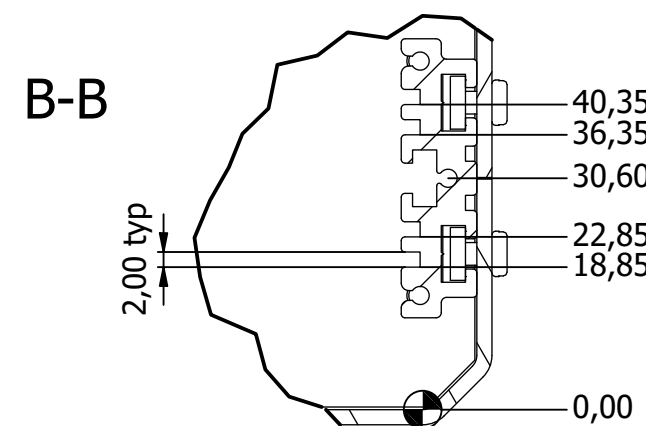
Front



Side



Detail C



FIRST ANGLE PROJECTION

Designed by L Clark	Description UNICASE 1 LIGHT GREY	Date 26/05/2015	Scale 1:2
METCASE ENCLOSURES 15 Brunel Way, Segensworth East, Fareham, Hampshire, UK. PO15 5TX Tel: +44 (0)1489 583858 Email: metcase@okw.co.uk		METcase™ www.metcase.com Part Number M5501110	
		Issue 1	Sheet 1 / 1

© OKW Enclosures Ltd (Date as shown). This drawing contains proprietary information of OKW Enclosures Ltd and is tendered subject to the following conditions. The information be retained in confidence, not be reproduced or copied, and not be used or incorporated in any product, unless permission is obtained in writing from OKW Enclosures Ltd.