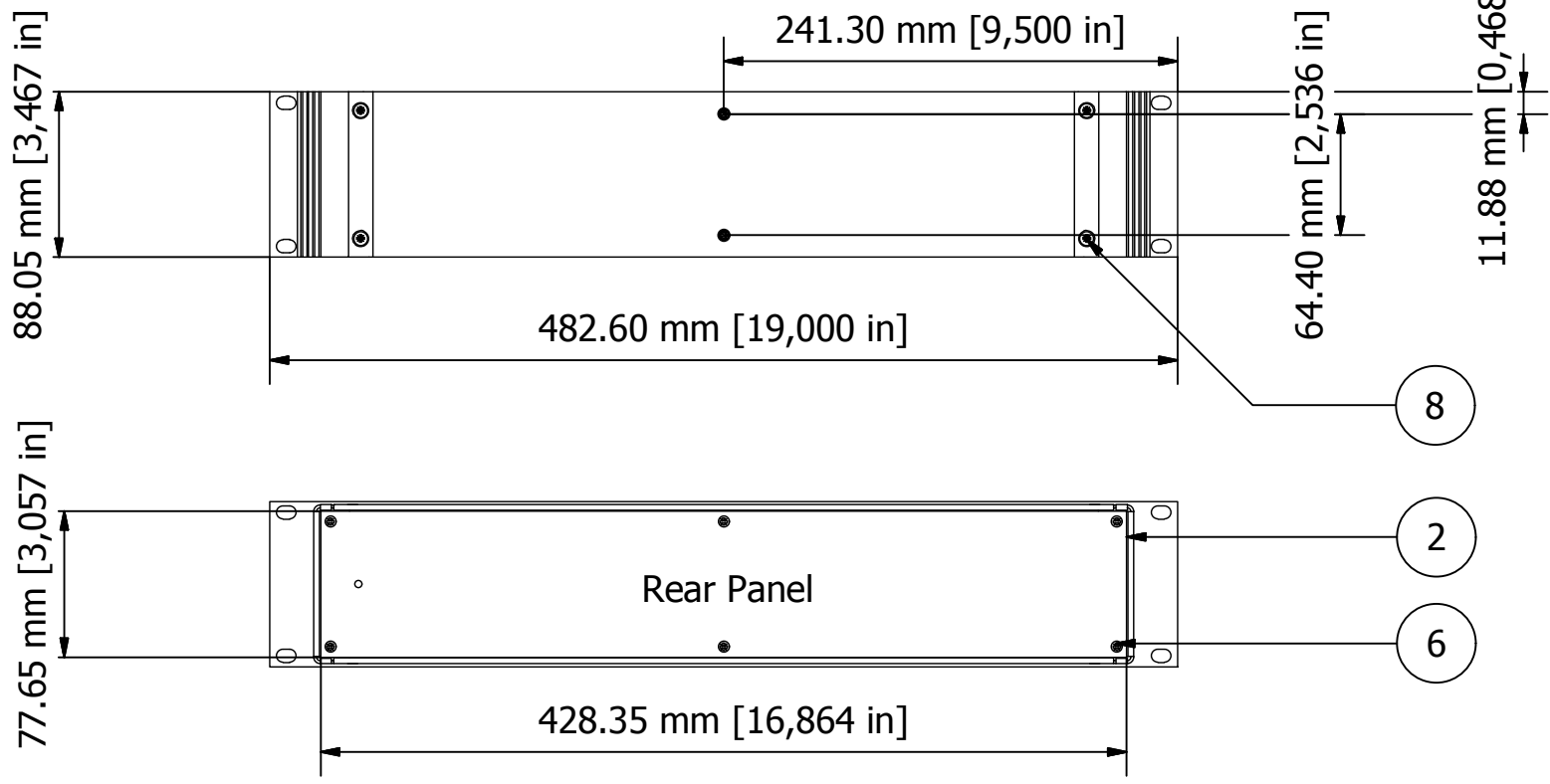


NOTES.
 Case metalwork is made from 1.5 mm aluminium and painted RAL 7035 fine texture light grey.
 Front panel is made from 3 mm aluminium with a clear etch & anodise finish.
 Handles made from an aluminium extrusion & painted RAL 7035 fine texture light grey.
 All parts are fitted with M4 studs for earth use.

PARTS LIST			
ITEM	QTY	PART NUMBER	DESCRIPTION
1	2	M6203045	Vented Covers
2	1	M6201025	Rear Panel
3	2	M6202235	Side Panel
4	1	M6219020	Front Panel
5	14	M3x8 CSK Screw	Assembly Screws
6	6	M3x8 Pan Screw	Rear Panel Screws
7	2	M6200205	Handles
8	4	M4x16 Screw	Front Panel Screws



FIRST ANGLE PROJECTION

Designed by L Clark	Description Combimet 2U x 19" x 265 mm Vented	Date 02/03/2012	Scale 1:4
------------------------	--	--------------------	--------------

METCASE ENCLOSURES
 15 Brunel Way, Segensworth East, Fareham,
 Hampshire, UK. PO15 5TX
 Tel: +44 (0)1489 583858 Email: metcase@okw.co.uk

METcase™ www.metcase.com

Part Number M6219245	Issue 1	Sheet 1 / 1
-------------------------	------------	----------------

© OKW Enclosures Ltd (Date as shown). This drawing contains proprietary information of OKW Enclosures Ltd and is tendered subject to the following conditions. The information be retained in confidence, not be reproduced or copied, and not be used or incorporated in any product, unless permission is obtained in writing from OKW Enclosures Ltd.